



SENZANI[®]

From innovation to pack

CaPa

**CASE PACKERS
& MANIPULATORS**

CP25-WA25-CP25_TL



The Senzani CP/WA25 machines are **monoblock case packers** suitable to set-up/form, fill and close corrugated cases. It's high capacity, vertical automatic magazine which rest on the floor allows **storage of up to three (3) complete stacks of blanks** making the machine closer on being "operator free".

The main technical features of these machines are the following:

- **modular and mirror design.**
- **positive case opening;**
- lateral, lower or upper arms, fitted with multiple suction cups, positively handle and transfer the cases inside the machine.
- possibility of adding a **lid module.**
- increased operator accessibility for interventions.
- photocell control of proper case closing.



TECHNICAL DATA

CASE SIZE

min 250x150x200 H mm
max 600x400x450 H mm

SPEED

up to 25 cpm

GROSS WEIGHT

8000 kg

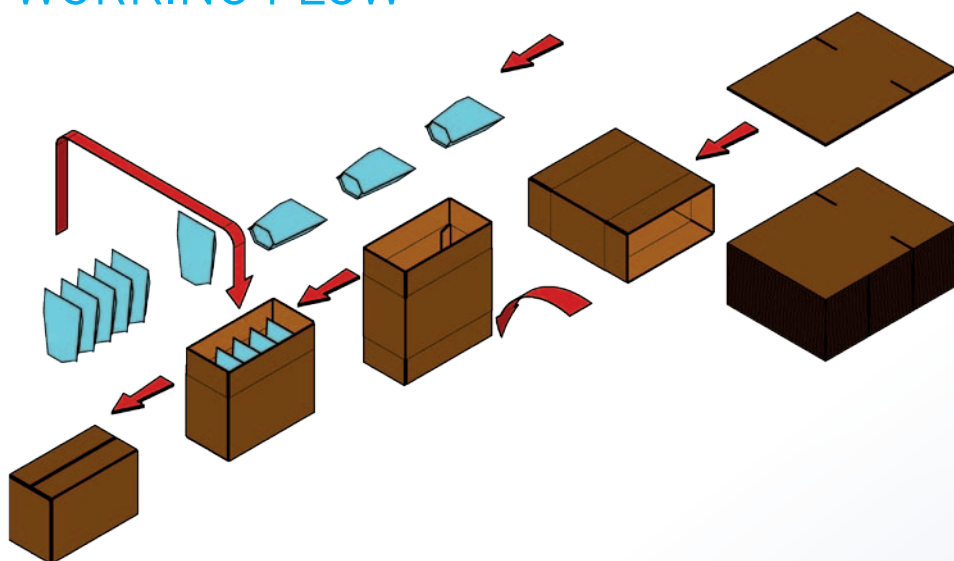
COMPRESSED AIR

300NI/min

INSTALLED POWER

20Kw

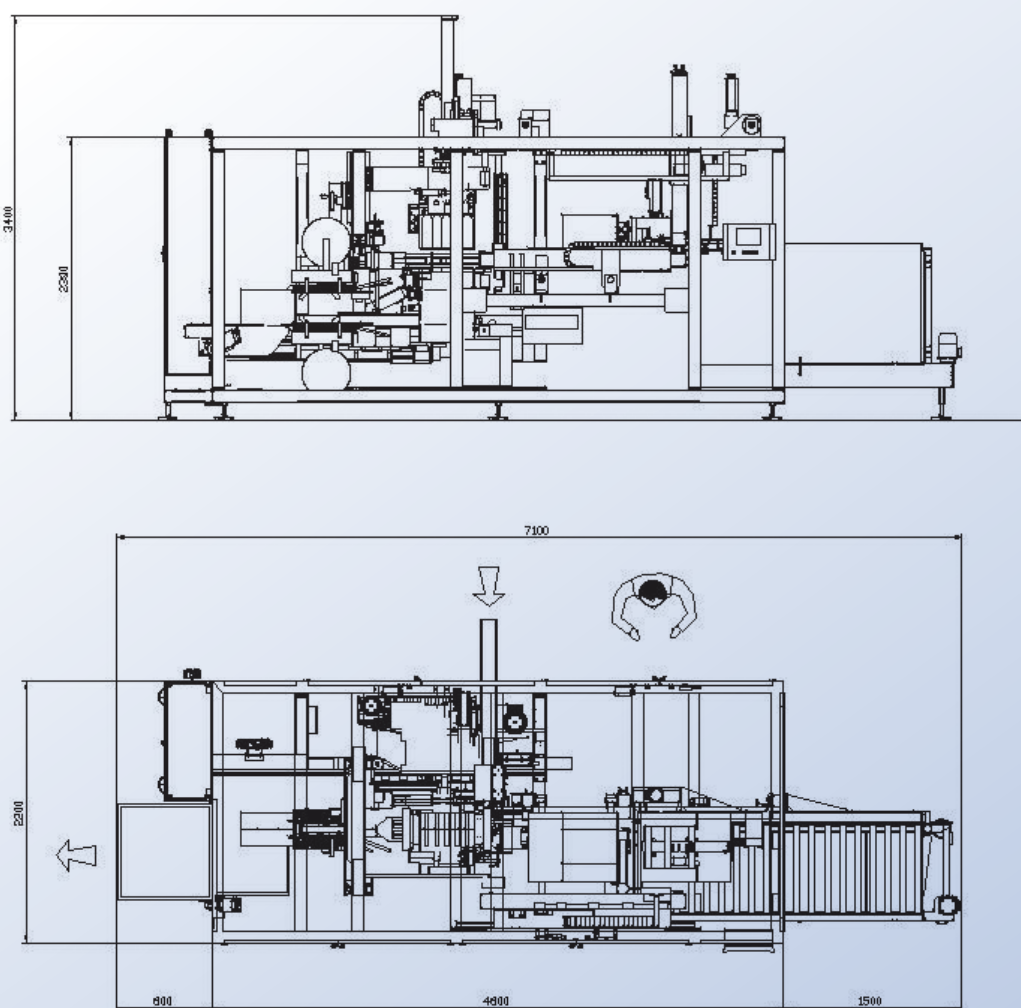
WORKING FLOW



TOP LOAD FILLING



LAY-OUT OVERVIEW



SENZANI

From innovation to pack

Senzani Brevetti S.p.A.

Via Risorgimento 13/15 48018 Faenza (Ra) Italy
tel. +39-0546 624011 fax +39-0546 621316
info@senzani.com - www.senzani.com