

MODEL "190LSC"-Curve MODEL "190LSCS"-Curve Spur MODEL "190LSS"-Straight Spur

- 5 bed widths
- Slave driven from Model "190LS"
- High speed capabilities



MODEL
"190LSC"
CURVE

STANDARD SPECIFICATIONS

Bed - Roller bed with 2½" diameter tapered to 1⅞" diameter x 14 gauge galvanized and 1.9" diameter x 16 gauge galvanized tread rollers. Mounted in 7" x 12 gauge powder painted formed steel channel frame.

Floor Supports - Adjustable 31½" to 45½" from floor to top of rollers. One support at ends of 190LSC (Curve), 190LSCS (Curve Spur) and 190LSS (Straight Spur). Single leg supplied for center of outside rail on 90° 190LSC only.

Slave Driven - Curves or spurs are slave driven from drive shaft of Model 190LS conveyor. Shafts are coupled by chain coupling at bed joints.

Drive Shaft - 1" diameter steel shaft extends full length of conveyor, coupled with universal joints ("U" joints) at necessary intervals.

Drive Spools - 2" diameter Delrin spool held in place on drive shaft with "snap-on" lock collars.

Drive Guard - Underside of drive shaft with spools and drive belts guarded full length of conveyor.

Drive Belts - ¾" diameter urethane belt from drive spool to tread roller.

Bearings - Tread rollers, pre-lubricated ball bearings. Sealed, pre-lubricated, self-aligning ball bearings on drive shaft.

Butt Couplings - Standard for connecting to 190LS.

Capacity - See Load Capacity Chart.

OPTIONAL EQUIPMENT

Conveying Speed - Other constant and variable speeds from 30 to 120 FPM.

Guard Rails - Adjustable channel, continuous channel, steel guard rails available.

Floor Supports - Lower or higher supports available. Minimum elevation with standard drive mounting is 18" to top of rollers.

Ceiling Hangers - ½" diameter x 8'0" long threaded rods with locking nuts and mounting hardware.

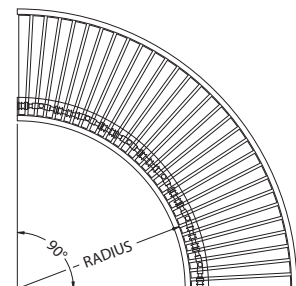
Load Capacity Chart

Between Rail Width	190LSC	190LSCS		190LSS	
	Capacity Per Curve (lbs.)	Capacity Per Spur (lbs.)		Capacity Per Straight Spur (lbs.)	
		45°	30°	45°	30°
15"	240	300	285	375	480
21"-27"	300	405	435		
33"-39"	450	540	720		

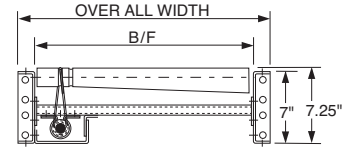
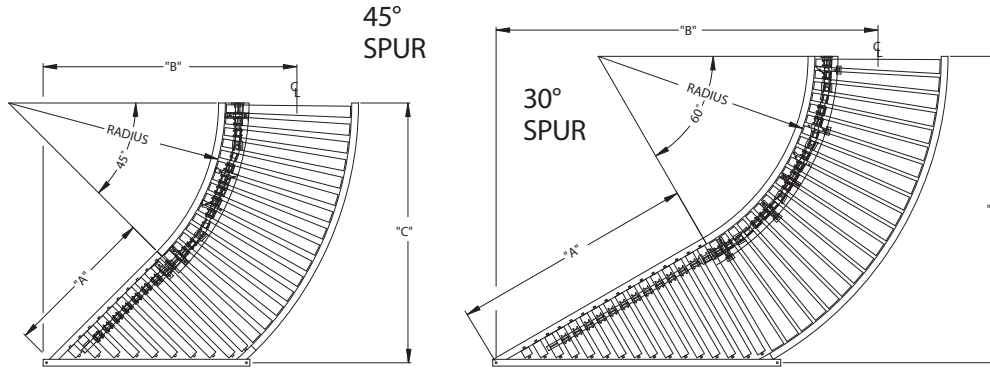
MODEL "190LSC" - CURVE

Between Rail Width	Overall Frame Width	"R"	Total Number of Rollers				Weight (lbs.)			
			90°	60°	45°	30°	90°	60°	45°	30°
15"	18"	32½"	20T	20T*	10T	10T*	208	189	170	140
21"	24"	32½"	20T	20T*	10T	10T*	244	221	198	162
27"	30"	32½"	20T	20T*	10T	10T*	283	245	227	187
33"	36"	48"	30T	20T	15T	10T	430	370	309	246
39"	42"	48"	30T	20T	15T	10T	480	382	344	271

*Available only in 48" Radius.



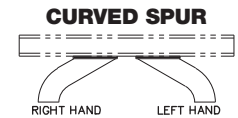
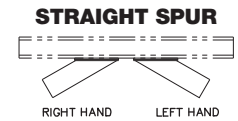
MODEL "190LSC"-Curve MODEL "190LSCS"-Curve Spur MODEL "190LSS"-Straight Spur



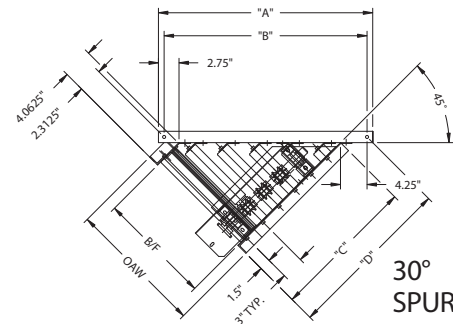
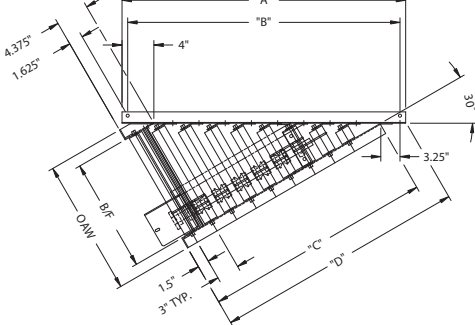
The "190LSCS" Spur, and "190LSS" Straight Spur have been designed to be slave driven from the "190LS" conveyor. Curves are used where turns in the conveyor line are necessary. Spurs are used in diverging or converging applications.

MODEL "190LSCS" - 45° & 30° CURVE SPURS

Between Frame Width	Overall Frame Width	Radius		"A"		"B"		"C"		Weight (lbs.)	
		45°	30°	45°	30°	45°	30°	45°	30°	45°	30°
15"	18"	32.5"	48"	22.1875"	33.0"	34.125"	60.3125"	37.25"	57.75"	200	230
21"	24"	32.5"	48"	28.1875"	43.5"	41.3125"	72.3125"	41.5"	63.0"	229	261
27"	30"	32.5"	48"	34.1875"	54.0"	48.5625"	84.3125"	45.75"	68.125"	259	293
33"	36"	48.0"	48"	40.1875"	64.25"	60.375"	96.3125"	61.0"	73.3125"	372	457
39"	42"	48.0"	48"	46.1875"	74.75"	67.625"	108.3125"	65.25"	78.5"	408	498



45° SPUR



- Specify "right" or "left" hand unit.
- Specify direction of flow.
- Specify conveyor to be attached to in order for proper attachment bracket to be furnished.

MODEL "190LSS" - 45° & 30° STRAIGHT SPURS

Between Frame Width	Overall Frame Width	"A"		"B"		"C"		"D"		Weight (lbs.)	
		45°	30°	45°	30°	45°	30°	45°	30°	45°	30°
15"	18"	28.25"	37.5"	26.75"	36"	19.875"	30.25"	22.1875"	33.0"	157	198
21"	24"	36.75"	49.5"	35.25"	48"	25.1875"	40.5"	28.1875"	43.5"	178	222
27"	30"	45.25"	61.5"	43.75"	60"	31.1875"	51.0"	34.1875"	54.0"	200	245
33"	36"	53.75"	73.5"	52.25"	72"	37.1875"	61.5"	40.1875"	64.25"	218	264
39"	42"	62.25"	85.5"	60.75"	84"	43.1875"	72.0"	46.1875"	74.75"	234	280