



SENZANI®

From innovation to pack

CM

VeCa

VERTICAL CARTONERS



For automatic, **direct fill of powders, granular products** and random packaging of small/medium size items directly **into cardboard cartons**.

The Senzani CM vertical cartoning machine models are robustly built, combined with a simple and operator friendly design, are accessible and **easy to changeover**, and guarantee a high degree of efficiency.

The units can be supplied and fitted with different types of product **dosing** systems: **volumetric** cup dosing heads, **multihead weighers**, **linear weighers**, **counting systems** and augers fillers.

Various types of closing systems: traditional flap closing sequence, reverse flap "labyrinth" sequence, tuck-in and gable top closures.

Possibility of handling **special design cartons**, having truncated pyramid shapes, hexagonal shapes, concave or convex sides.

Possibility of spout application via mechanical and electrical integration of spout inserting machines.



TECHNICAL DATA

CARTON SIZE

min 60x30x140 H mm
max 310x120x330 H mm

SPEED

up to 140 cpm

GROSS WEIGHT

6000 kg

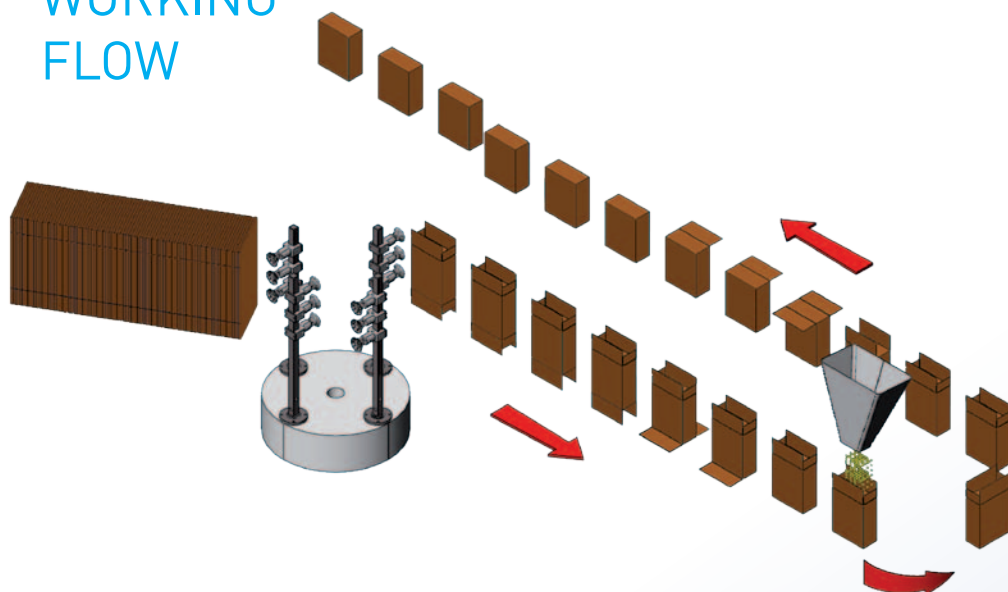
COMPRESSED AIR

5NL/min

INSTALLED POWER

13Kw

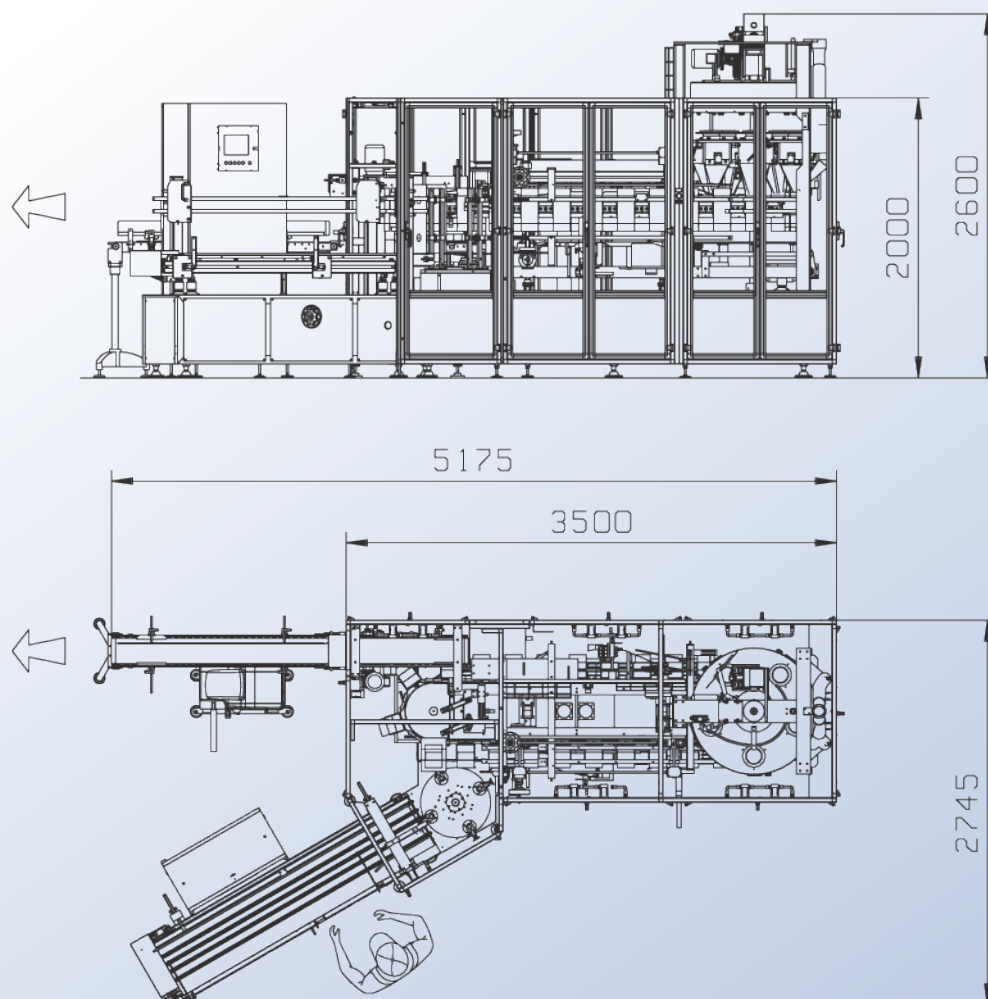
WORKING FLOW



CMF VERSION: MACHINE WITHOUT
FORMAT PARTS TO BE REPLACED



LAY-OUT OVERVIEW



SENZANI
From innovation to pack

Senzani Brevetti S.p.A.

Via Risorgimento 13/15 48018 Faenza (Ra) Italy
tel. +39-0546 624011 fax +39-0546 621316
info@senzani.com - www.senzani.com