



SENZANI®

From innovation to pack

DiPa

DP60

DISPLAY & TRAY PACKERS



The Senzani DP60 is a **monoblock, wrap around display/tray packer** suitable to form, fill and close cartons, **displays/trays and sleeves**. Its **footprint is incredibly small** compared to its speed.

The machine is made-up of the following main groups:

- Inclined magazine able to accommodate up to four (4) flat blanks.
- Picking system with articulated arm.
- Lateral side flap gluing with hot melt injection device.
- **Product insertion** inside the forming tool (**onto the blank**).
- Forming unit
- Top flap gluing with hot melt injection device.
- **Lid module.**
- Closing station.
- Reject station.



TECHNICAL DATA

MAXIMUM FLAT BLANK

700x700 mm.

SPEED

up to 160 cpm

GROSS WEIGHT

9000 kg

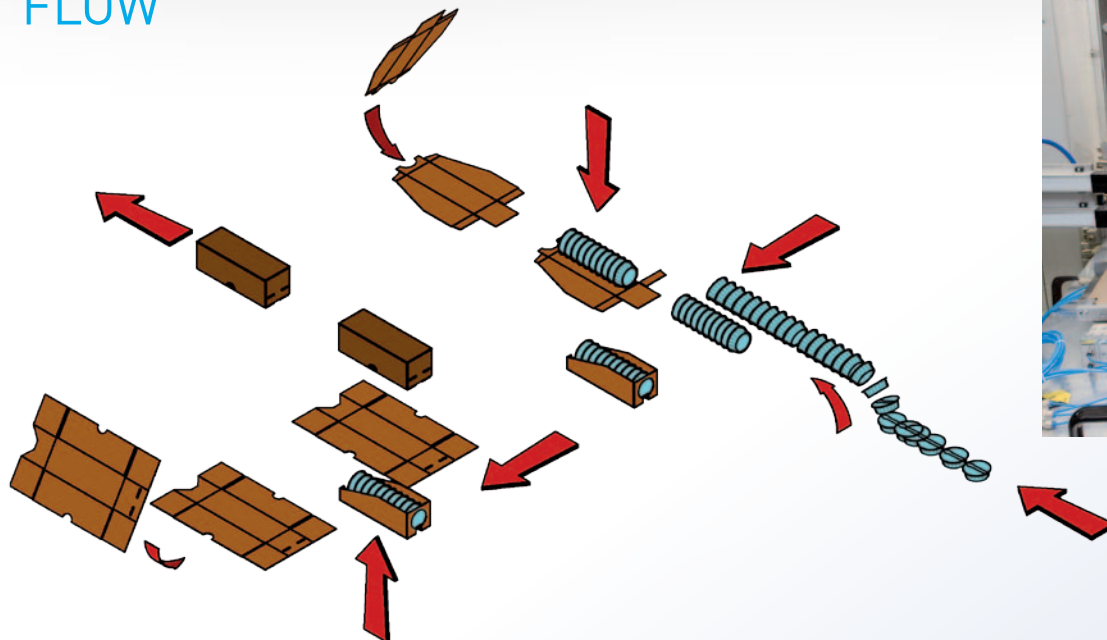
COMPRESSED AIR

2000NL/min

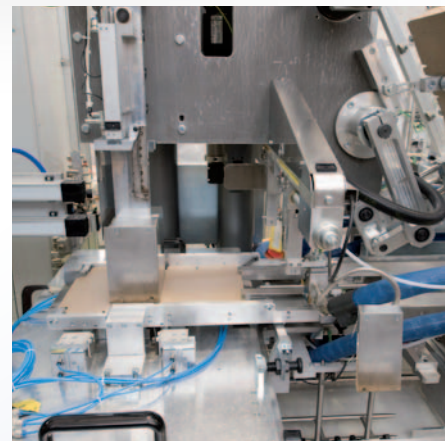
INSTALLED POWER

18Kw

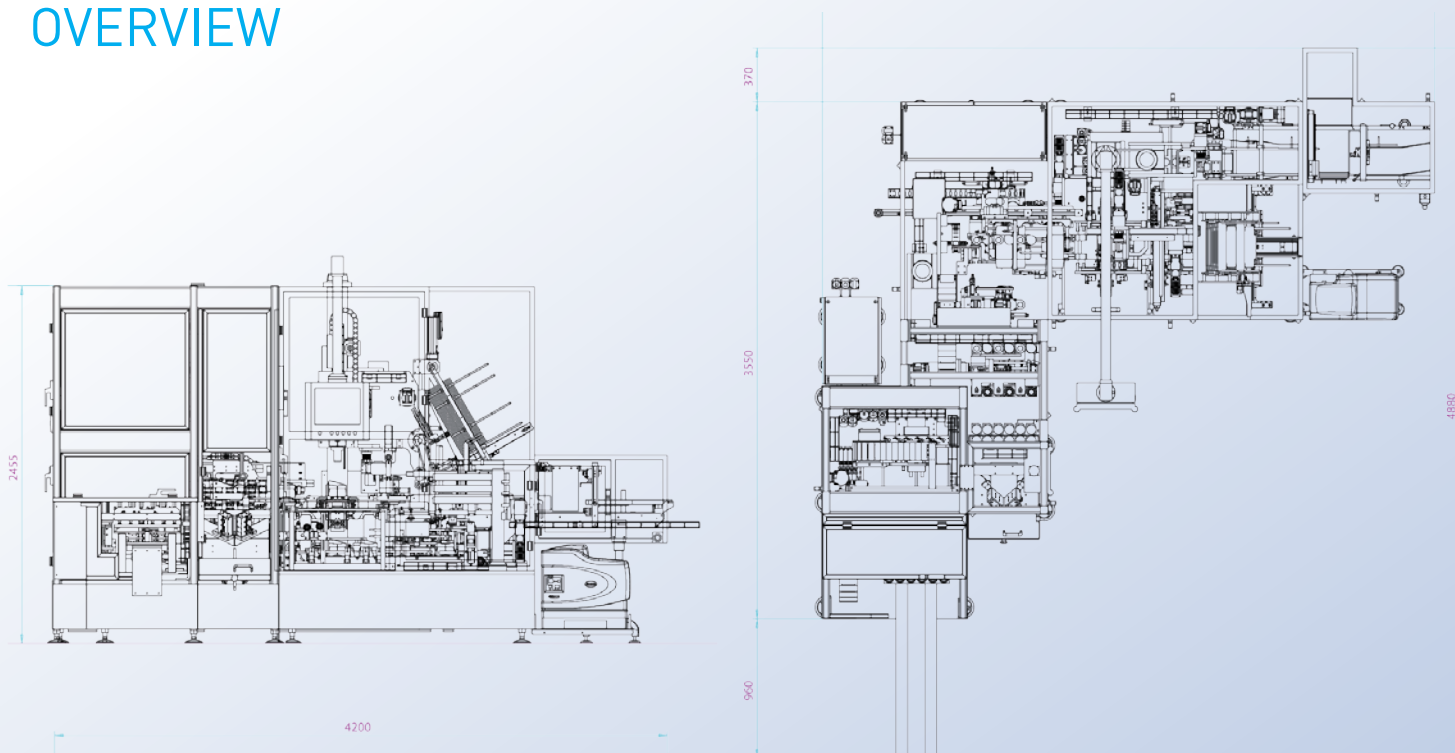
WORKING FLOW



FORMING STATION



LAY-OUT OVERVIEW



SENZANI®

From innovation to pack

Senzani Brevetti S.p.A.

Via Risorgimento 13/15 48018 Faenza (Ra) Italy
tel. +39-0546 624011 fax +39-0546 621316
info@senzani.com - www.senzani.com