

- **Packing**
- **Inspecting**
- **Assembling**
- **Testing**
- **Painting**

STANDARD SPECIFICATIONS

Slats - 5³/₄" x 10 gauge formed slat standard, bolted to A-2 attachments on chain. Slat length is effective conveying surface.

Conveyor Frame - Heavy duty, powder painted 7 gauge, bolted construction.

Chain & Slat Return - Returns on angle track, supplied as part of conveyor framework.

Chain - Heavy duty 6" pitch with A-2 attachments on each pitch.

Driving Sprockets - 6 Tooth SR 196 12" pitch diameter.

Floor Supports - Supplied as part of conveyor framework, not adjustable. Specify height. 24" min. elevation.

Drive Shaft - 2¹⁵/₁₆" diameter CRS.

Tail Shaft - 2⁷/₁₆" diameter CRS.

Take-Up - Mounted at tail end of conveyor for adjustment of chain tension.

Drive - Floor mounted at discharge end of conveyor.

Speed - 30 FPM constant.

Reducer - Heavy duty worm gear reducer.

Motor - 2 HP 230/460-3-60 TE motor.

Capacity - 400 lbs. per foot maximum. Not to exceed Load Capacity Chart.

OPTIONAL EQUIPMENT

Slats - Heavier gauge and hardwood slats available.

Chain - 4" pitch heavier duty chain available; inquire.

Dwell Station - Gravity section mounted level with slat surface. Allows product to be inspected, tested, etc., while conveyor remains running.

Speed - Other constant speeds and variable speeds available.

Motor - Single phase, energy efficient, explosion proof, etc. Other HP available.

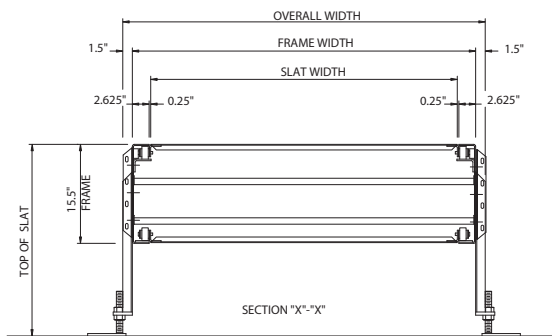
Electrical Controls - Magnetic starters, push button stations; manual motor starters with overload protection, others.

MODEL "SL"



Conveyor Length	Slat Width		24"	30"	36"	42"	48"
	Overall Width		33"	39"	45"	51"	57"
10'	Weights Based On Standard 5 3/4" Wide 10 Gauge Formed Slats		2225	2471	2717	2963	3209
20'			3821	4313	4805	5297	5789
30'			5417	6155	6893	7631	8369
40'			7013	7997	8981	9965	10949
50'			8582	9812	11042	12272	13502
60'			10178	11654	13130	14606	16082
70'			11774	13496	15218	16940	18662
80'			13370	15338	17306	19274	21242
90'			14966	17180	19394	21608	23822
100'			16562	19022	21482	23942	26402

NOTE: Elevation changes are critical on this model. Please contact factory.



Load Capacity Chart

HP	30 FPM	
	Up to 40 ft.	Up to 100 ft.
2	6500 lbs.	2100 lbs.
3	11000 lbs.	6800 lbs.

